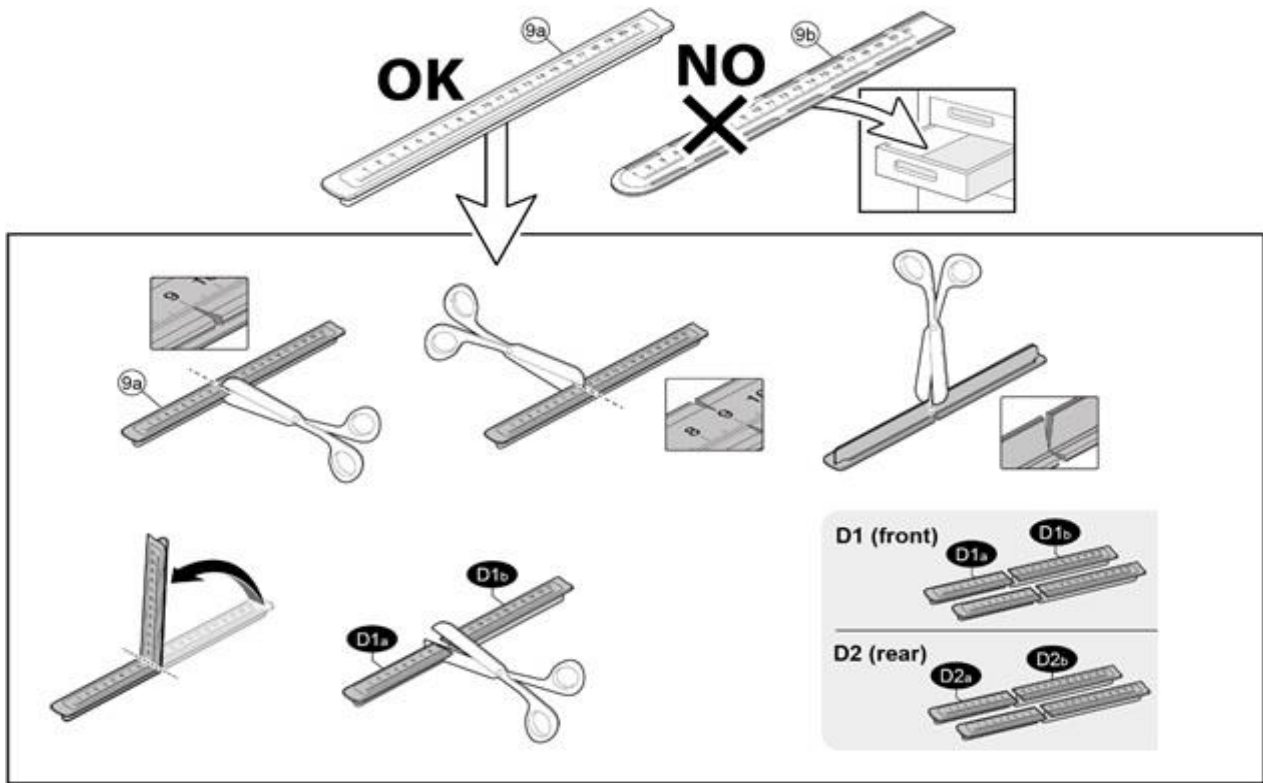


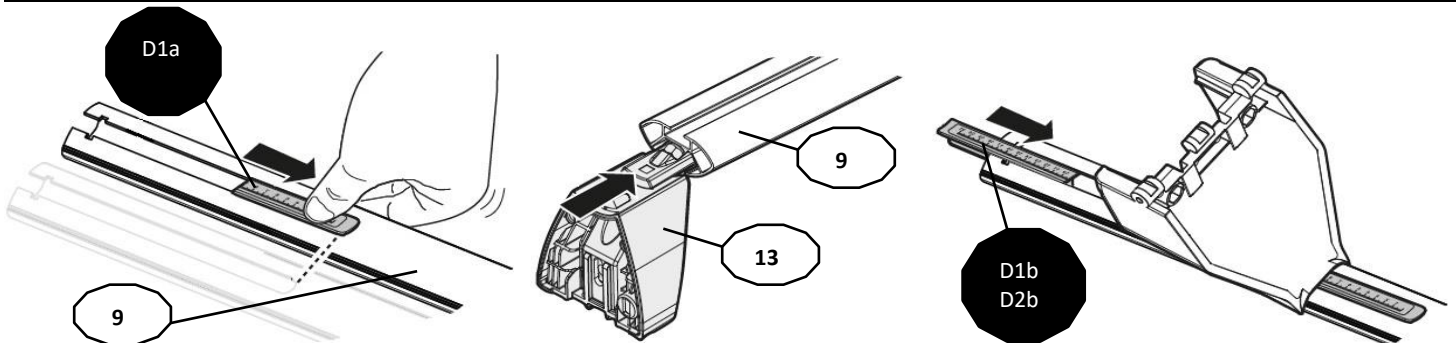
FIXING KIT DELTA

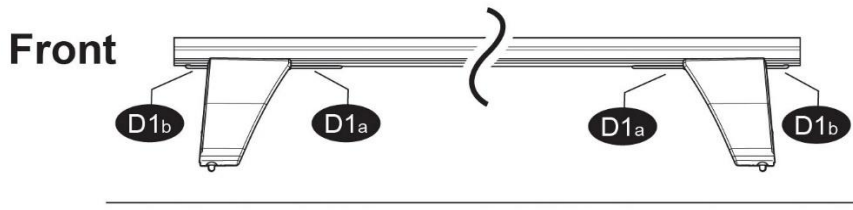
1



MANUFACTURER	MODEL CAR	DOORS	MODEL YEAR	D1	D2
DAIHATSU	Materia	5	06>16	9,8	9,3

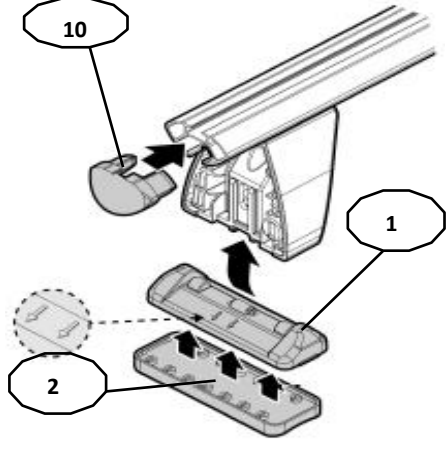
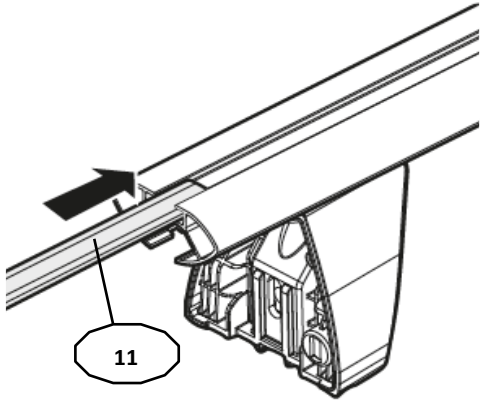
2



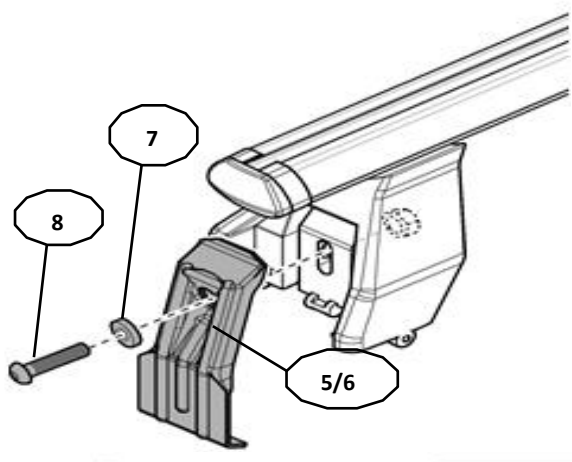


3

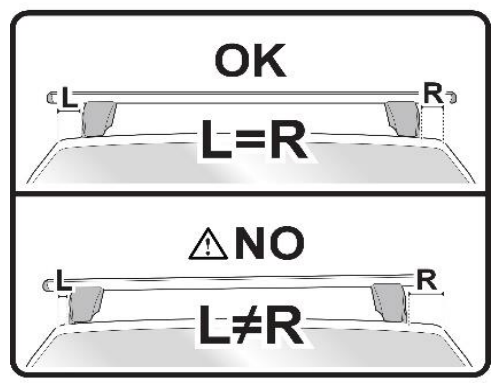
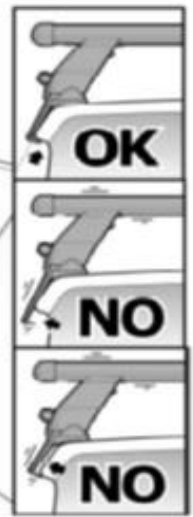
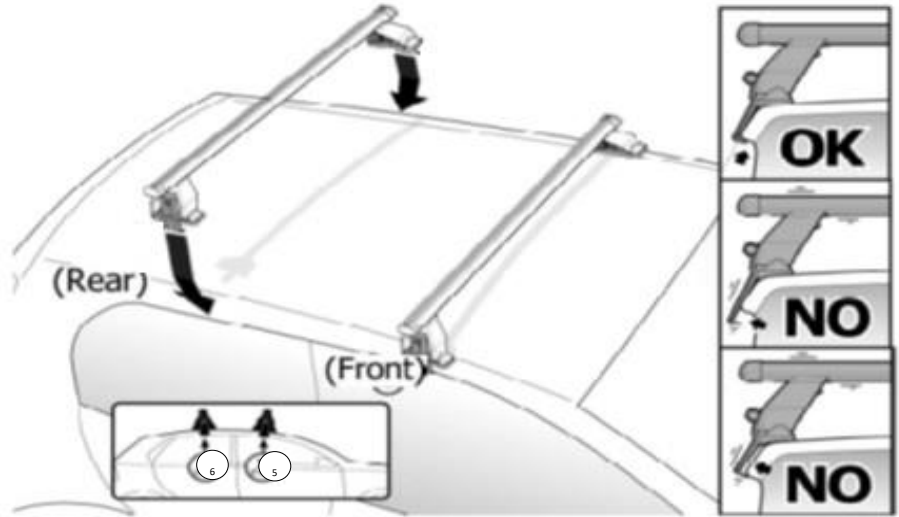
x4

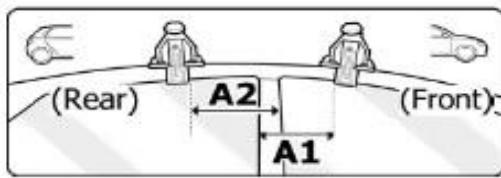


4

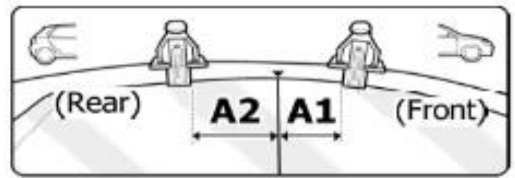


Front	Rear
5	6
1R	58
2X	2X





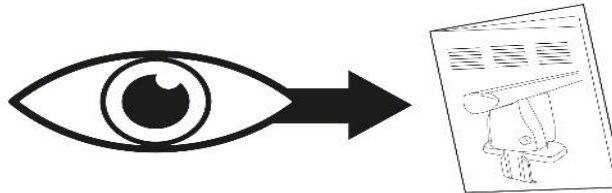
OR



MANUFACTURER	MODEL CAR	DOORS	MODEL YEAR	A1	A2	A1	A2
				cm	cm	in	in
DAIHATSU	Materia	5	06>16	28	39	11,0	15,4

X = predisposizione originale /original arrangement

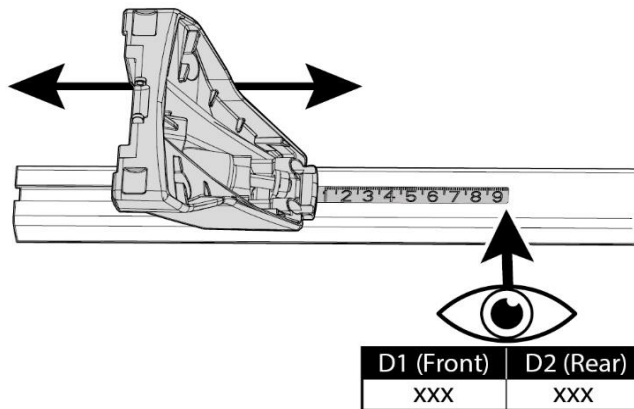
5



MANUAL DELTA

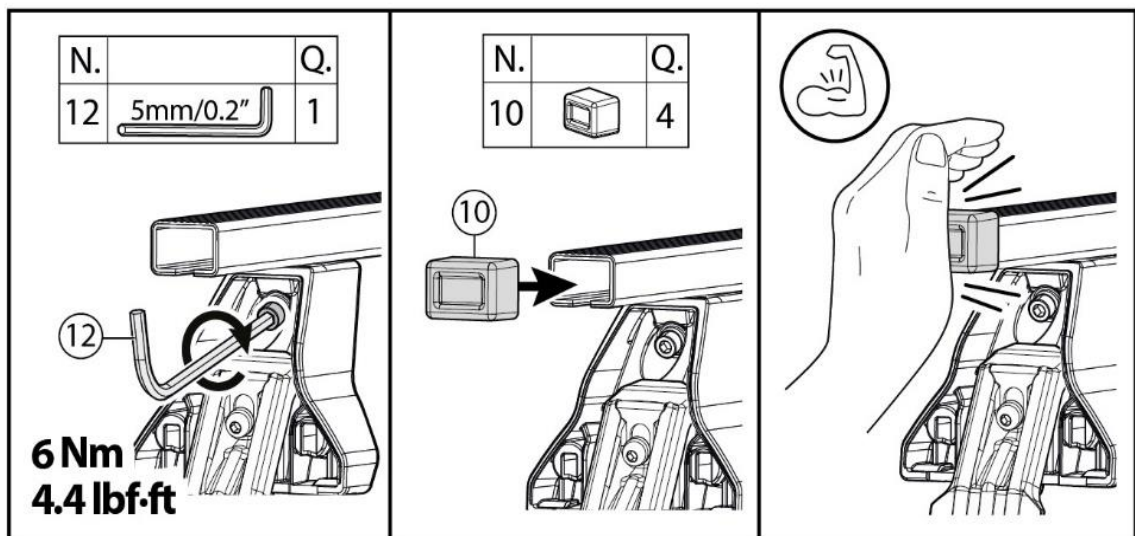
FIXING KIT OMEGA

2

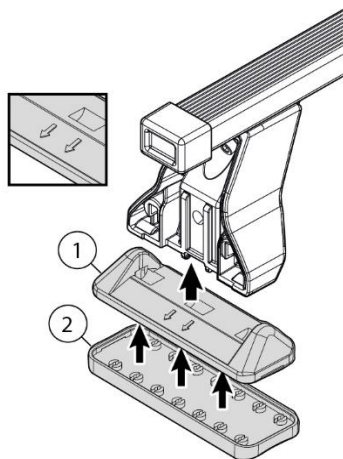


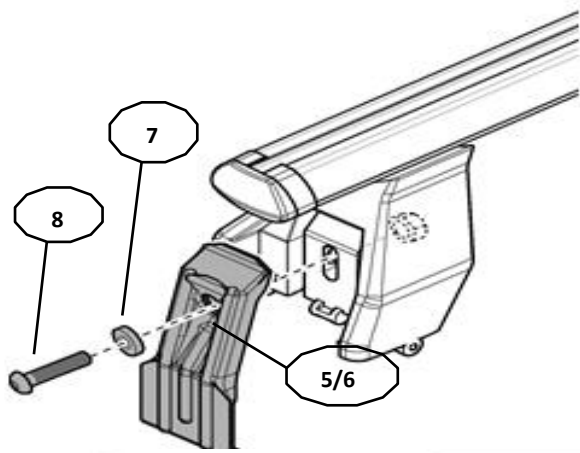
MANUFACTURER	MODEL CAR	DOORS	MODEL YEAR	D1	D2
DAIHATSU	Materia	5	06>16	9,8	9,3

3

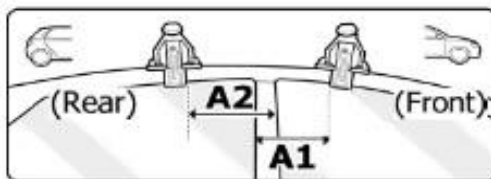
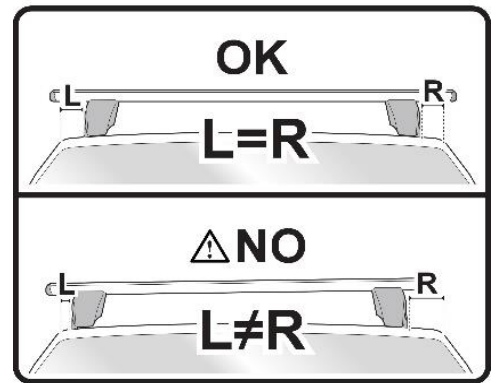
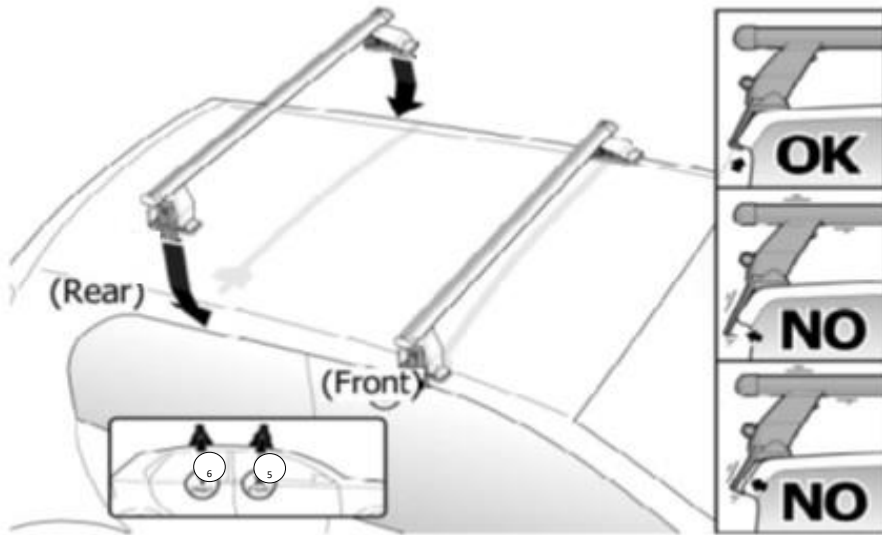


4

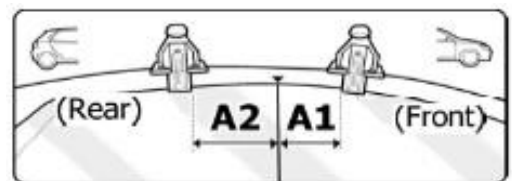




Front 5	Rear 6
1R 2X	58 2X

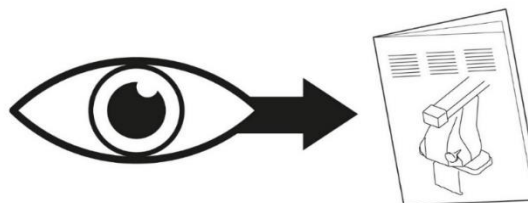


OR



MANUFACTURER	MODEL CAR	DOORS	MODEL YEAR	A1	A2	A1	A2
				cm	cm	in	in
DAIHATSU	Materia	5	06>16	28	39	11,0	15,4

X = predisposizione originale /original arrangement



MANUAL OMEGA

NOTE:
