

# MEARBO

free time on the move

## QUASAR

IT Istruzioni di montaggio

EN Fitting instructions

DE Montageanleitung

FR Instructions de montage

ES Instrucciones de montaje

BG инструкции за сглобяване

CS Návod na montáž

DA Monteringsvejledning

EL Οδηγίες συναρμολόγησης

ET Paigaldusjuhend

FI Asennusohje

HR Uputa za sastavljanje

HU A felszerelés módja

LT Pritvirtinimo instrukcijos

LV Stiprināšanas instrukcija

NL Instrukcja montażu

NO Monteringsveiledning

PL Instrukcja montażu

PT Instruções de Montagem

RO Instrucțiuni de montare

RU Инструкции по установке

SK Návod na montáž

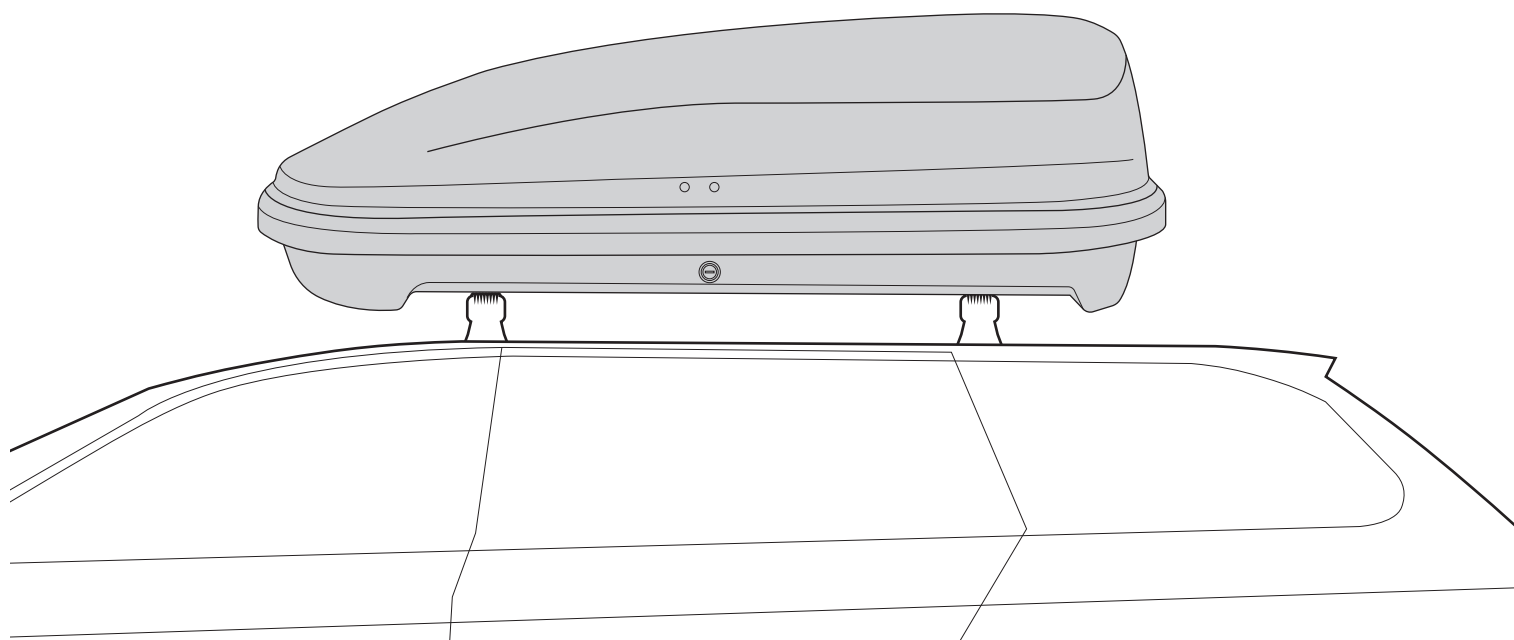
SL Navodila za pritrjevanje

SV Monteringsanvisning

TK Uydurma talimat

ZH 裝修指導

AR تعليمات التجميع

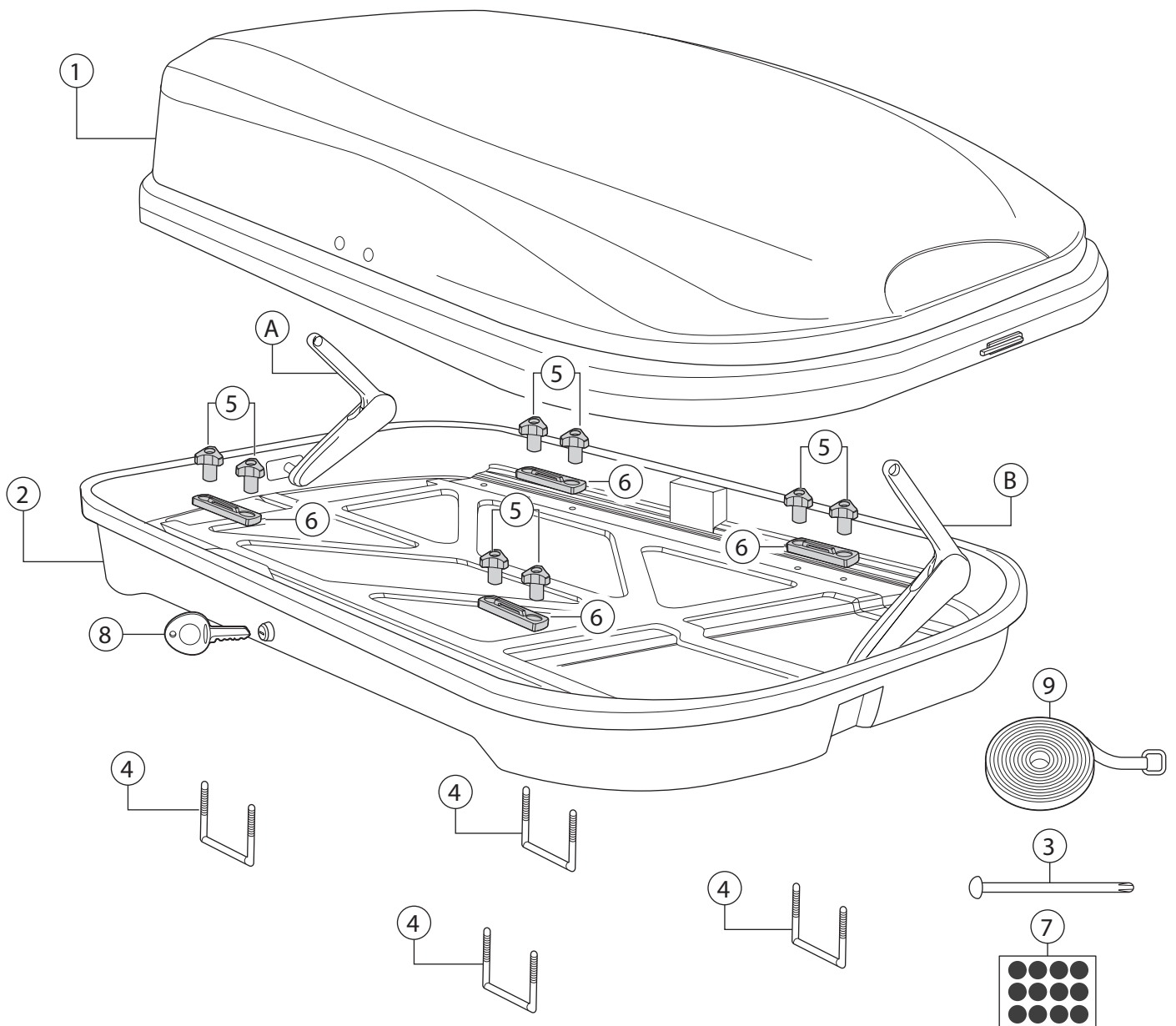


Made in Italy



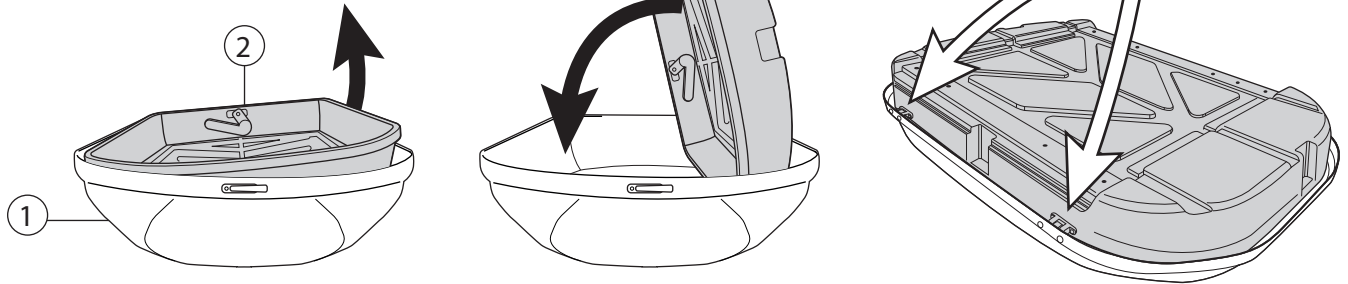
N	[IT]Componenti (Inclusi) [EN]Components (Included) [FR]Composants (Comprises) [DE]Die Komponenten (im Lieferumfang enthalten) [ES]Componentes (Incluido)	Q
1		1
2		1
3		2
4		4
5		8
6		4
7		1
8		2
9		2

N	[IT]Ricambi (A Richiesta) [EN]Spare Parts (Made to order) [FR]Pièces de rechange (Sur commande) [DE]E Teile (auf Anfrage) [ES]Piezas de recambio (Previa solicitud)	Q	Codice-Code-Código
3		2	70 00430 00000
4		4	70 00431 00000
5		8	70 00432 00000
6		4	70 00433 00000
8		2	70 00434 00000
9		2	70 00435 00000
A	Rear 	1	70 00436 00000
B	Front 	1	70 00437 00000



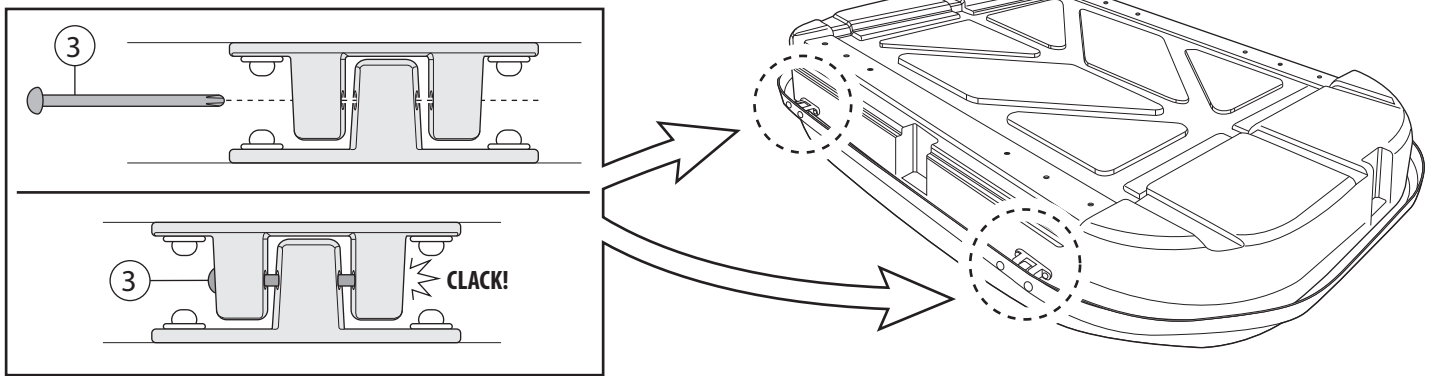
1

N		Q
1		1
2		1

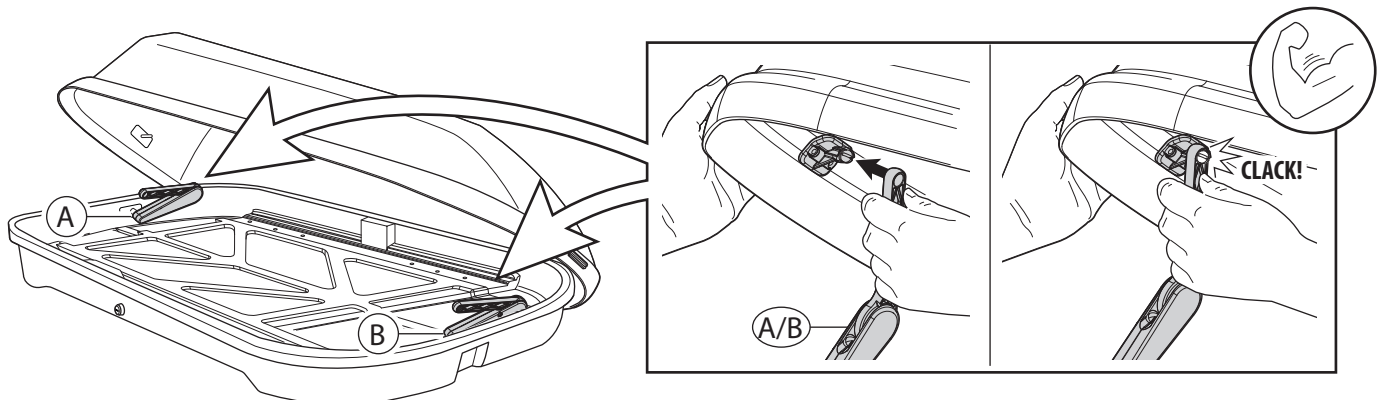
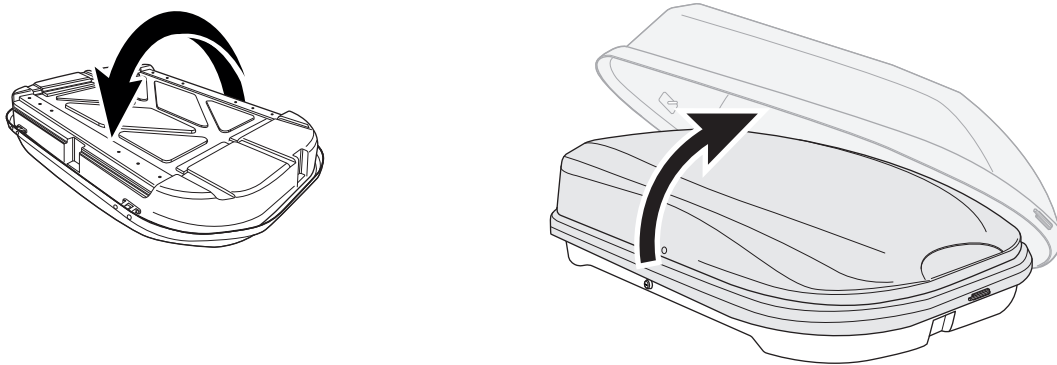


2

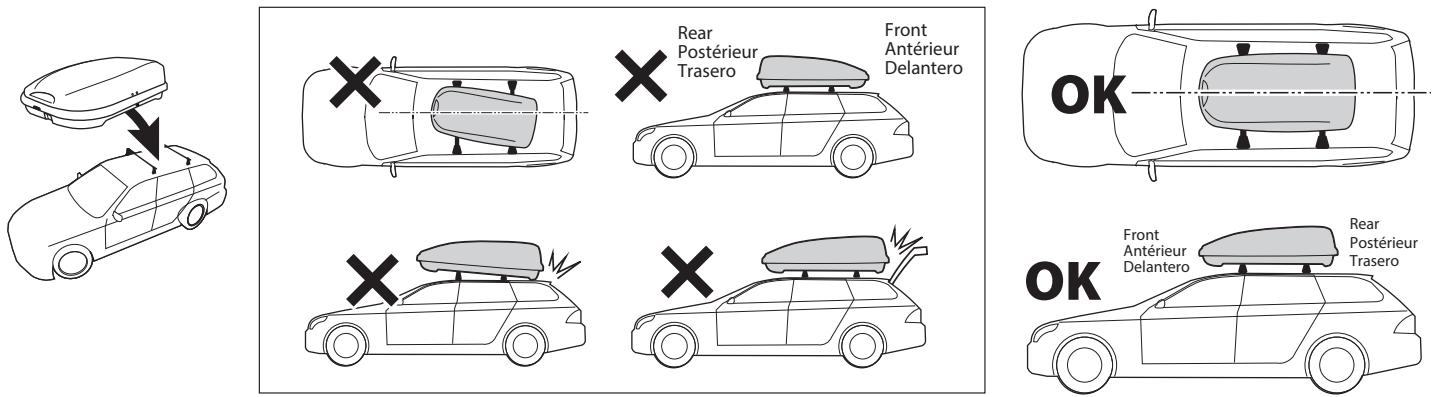
N		Q
3		2



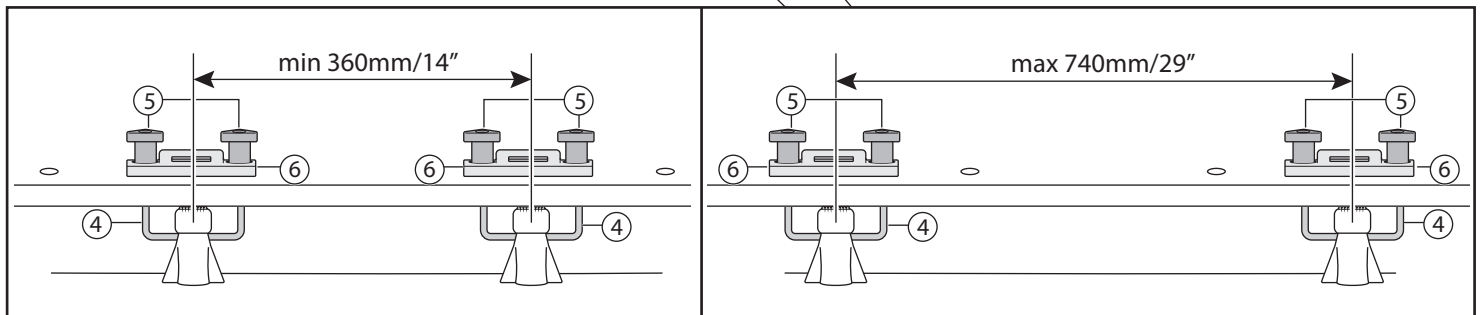
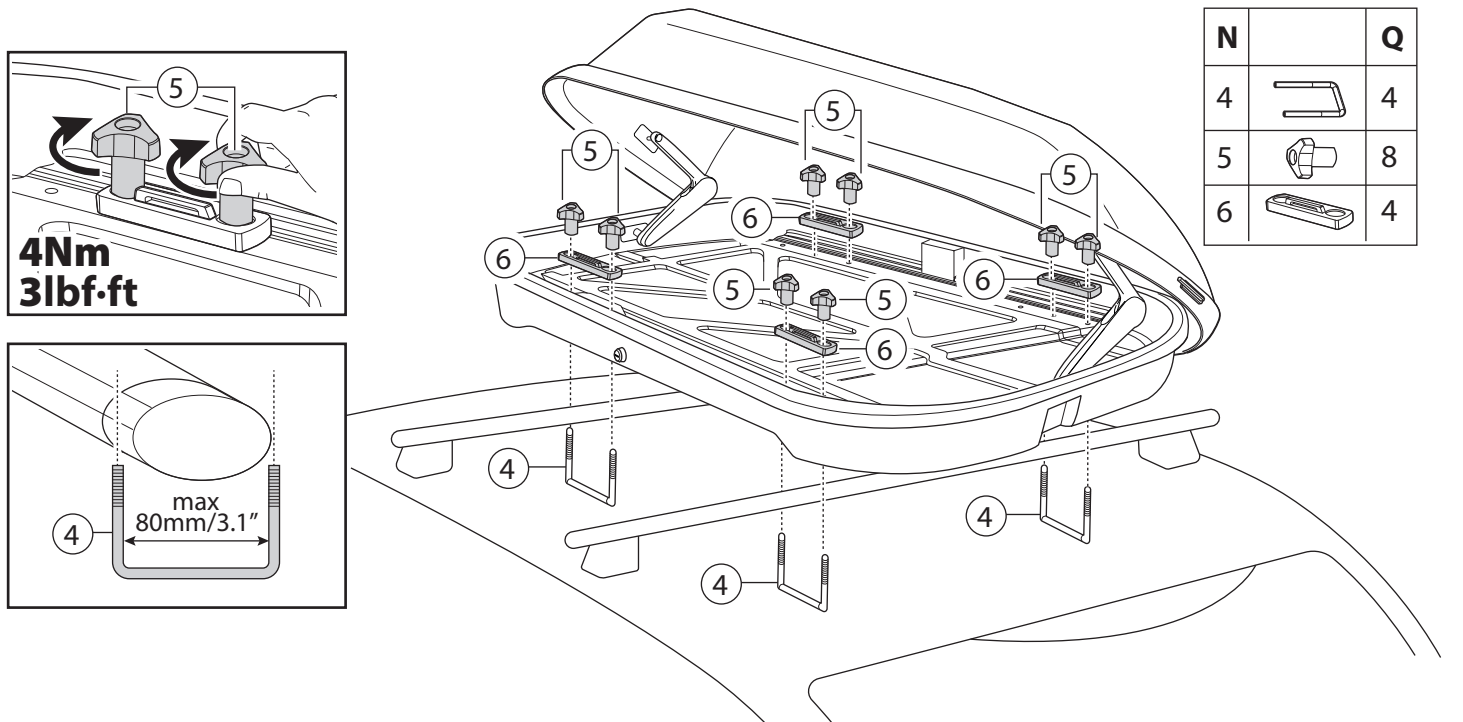
3



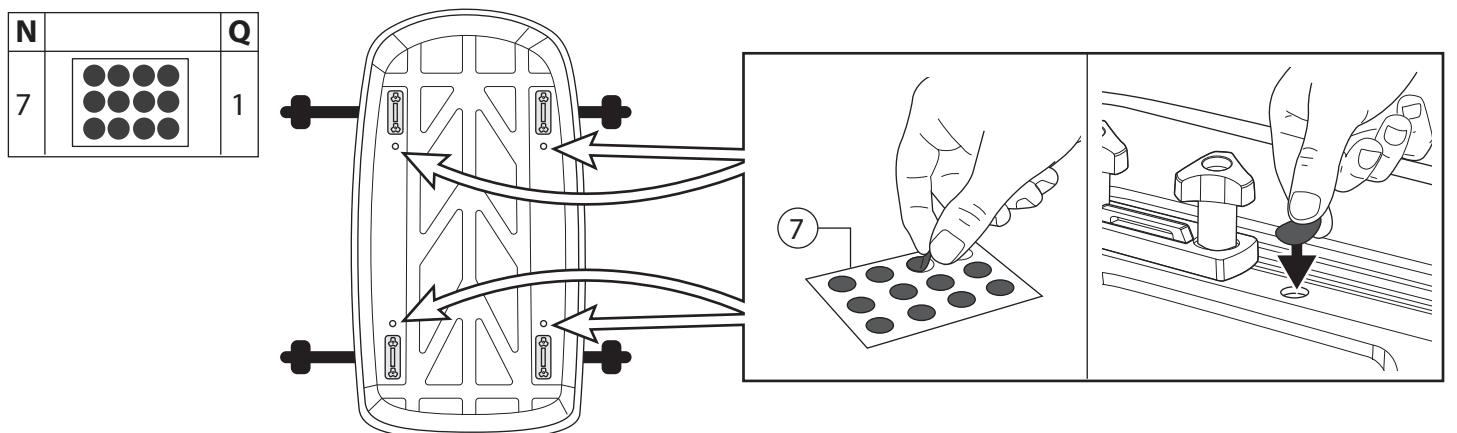
4




5

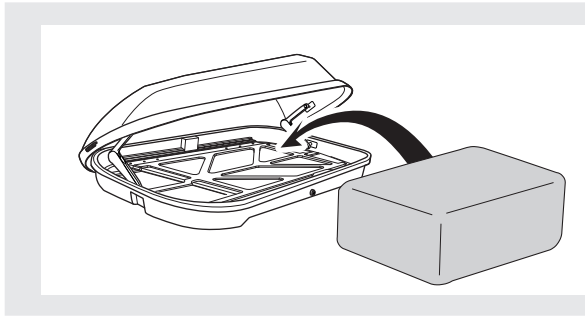
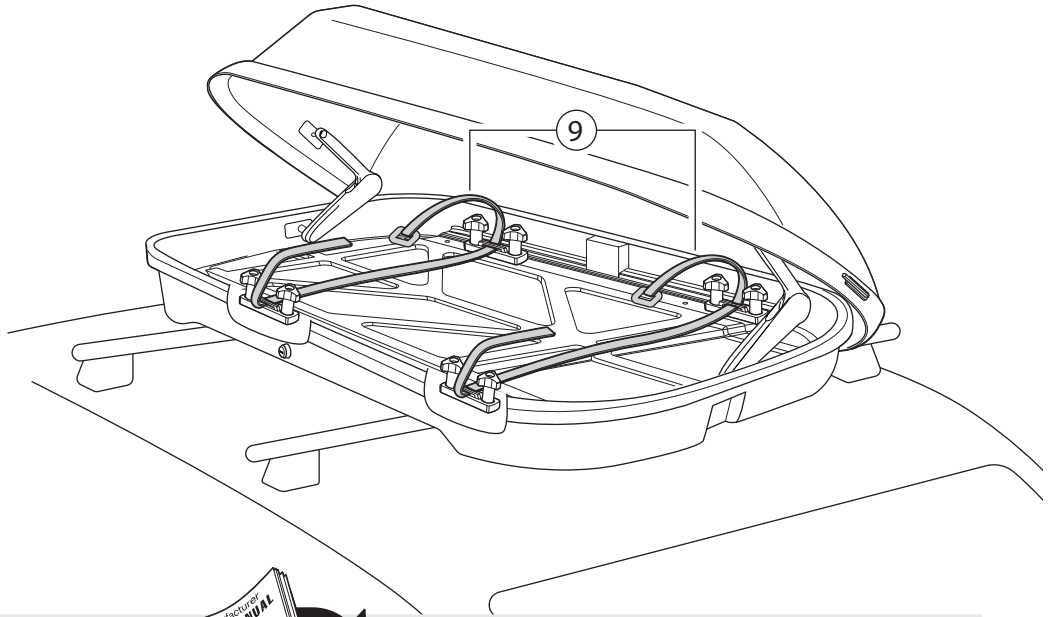
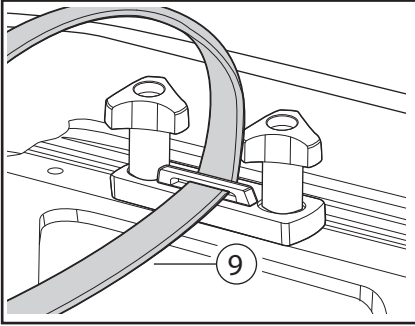



6






7

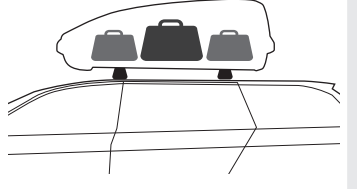
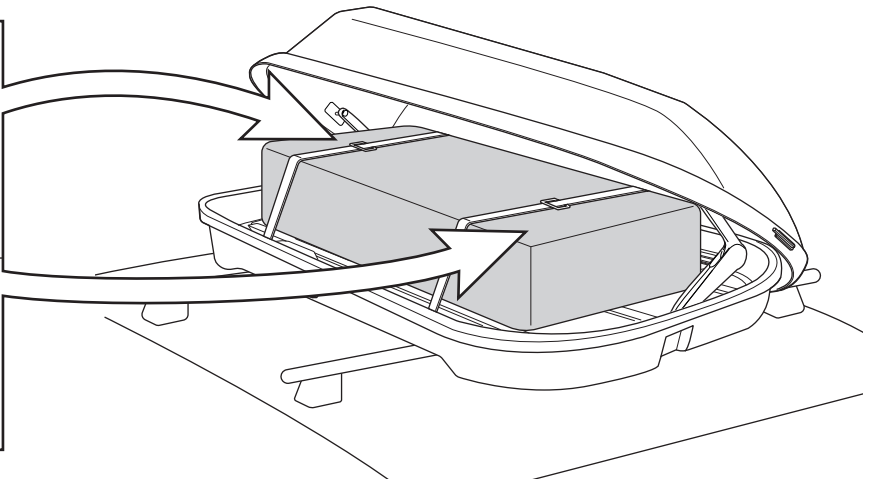
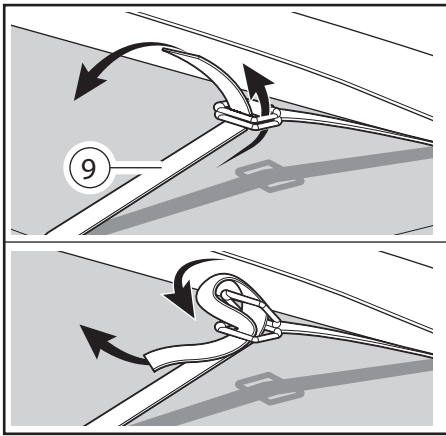
N		Q
9		2




 **MAX LOADING =**

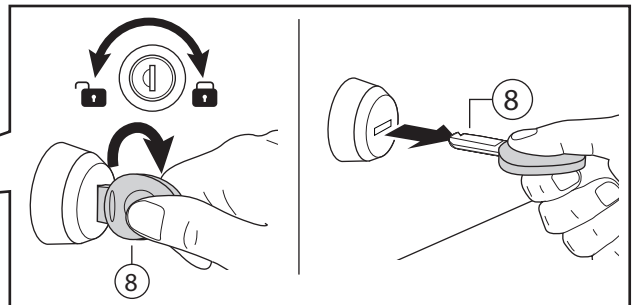
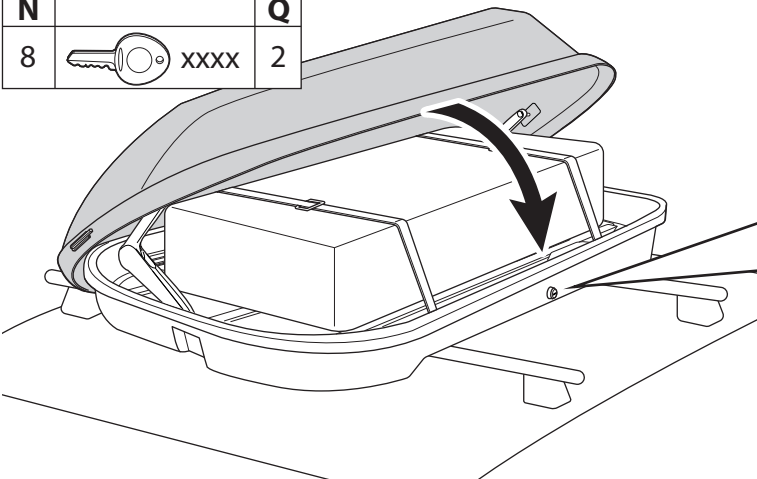
 +  + 

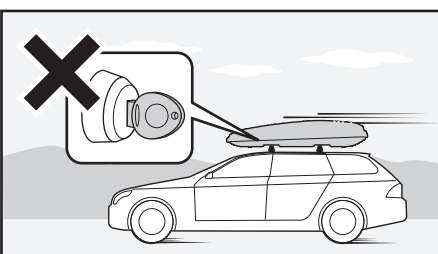
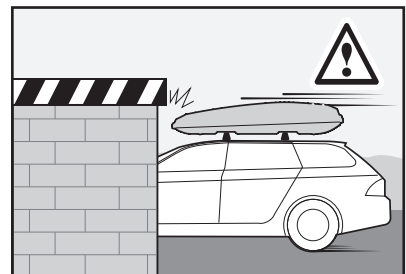
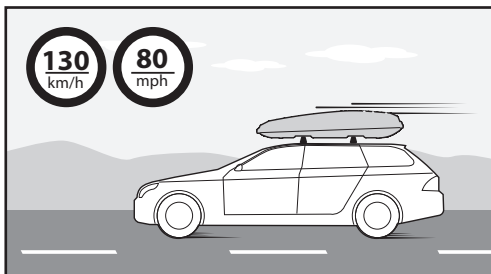
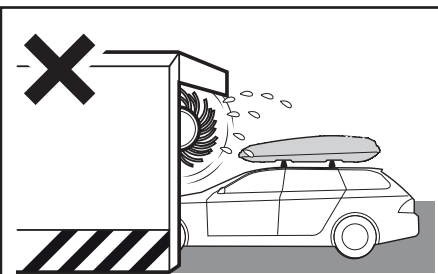
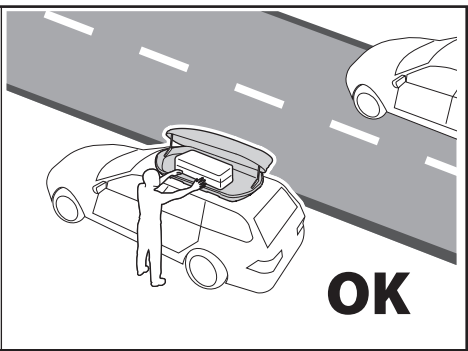
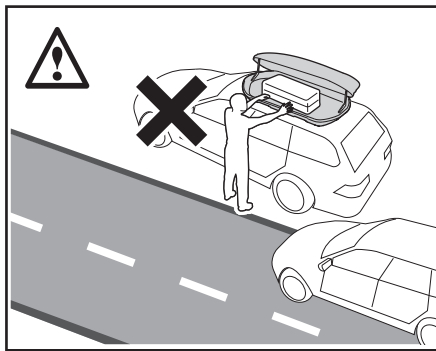
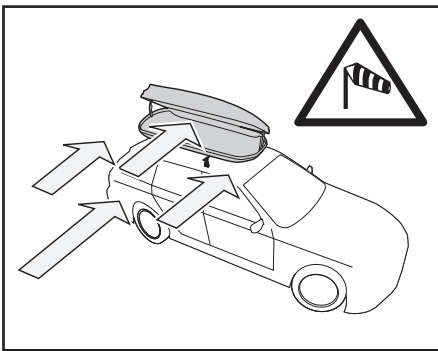
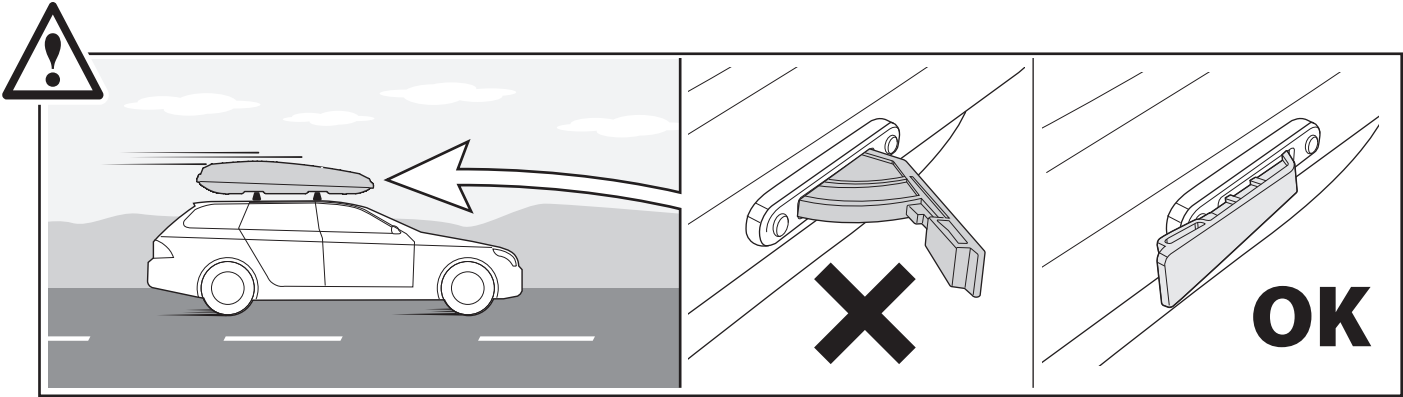
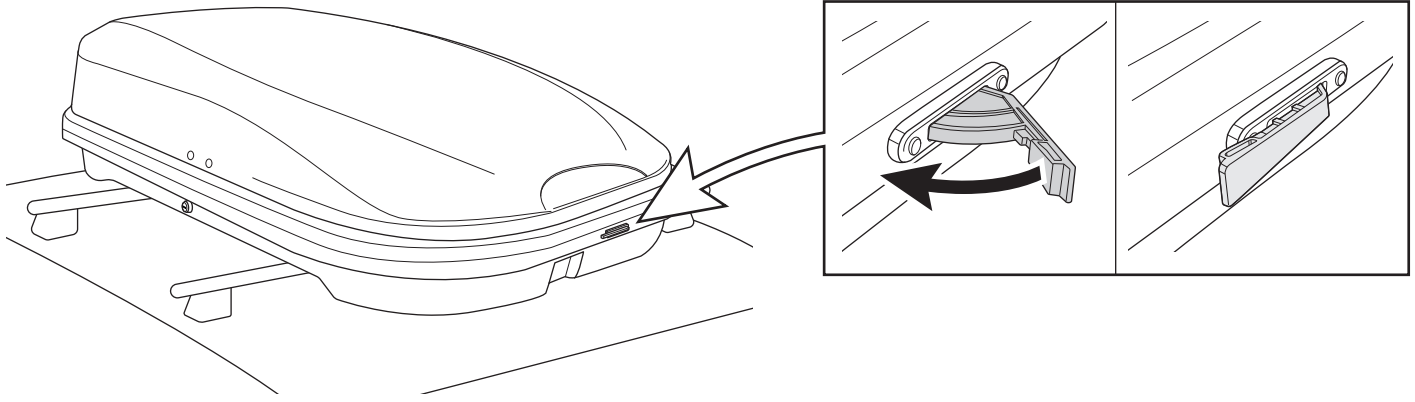
**Max 50kg / 110lb**






8

N		Q
8	 XXXX	2





 Quasar	 Max 50kg / 110lb
8,6kg / 19lb	





**F.lli Menabò S.r.l.**  
Via 8 Marzo, 3  
42025 Cavriago (RE) Italy  
e-mail: [customercare@flli-menabo.it](mailto:customercare@flli-menabo.it)  
[www.menabocaraccessories.com](http://www.menabocaraccessories.com)

Cod.istr.	500036900000
Data	31/01/2022

**Product registration EU:**

IT) [eu.menabocaraccessories.com/ita/product-support-ita](http://eu.menabocaraccessories.com/ita/product-support-ita)  
EN) [eu.menabocaraccessories.com/eng/product-support-eng](http://eu.menabocaraccessories.com/eng/product-support-eng)  
DE) [eu.menabocaraccessories.com/deu/product-support-deu](http://eu.menabocaraccessories.com/deu/product-support-deu)  
FR) [eu.menabocaraccessories.com/fra/product-support-fra](http://eu.menabocaraccessories.com/fra/product-support-fra)  
ES) [eu.menabocaraccessories.com/esp/product-support-esp](http://eu.menabocaraccessories.com/esp/product-support-esp)

**Product registration US/CA:**

EN) [us.menabocaraccessories.com/en/product-support](http://us.menabocaraccessories.com/en/product-support)  
FR) [us.menabocaraccessories.com/fr/support-produit](http://us.menabocaraccessories.com/fr/support-produit)  
ES) [us.menabocaraccessories.com/es/soporte-de-producto](http://us.menabocaraccessories.com/es/soporte-de-producto)

[www.menabocaraccessories.com](http://www.menabocaraccessories.com)

Name

Surname

Email

Telephone

Serial number

Product name